

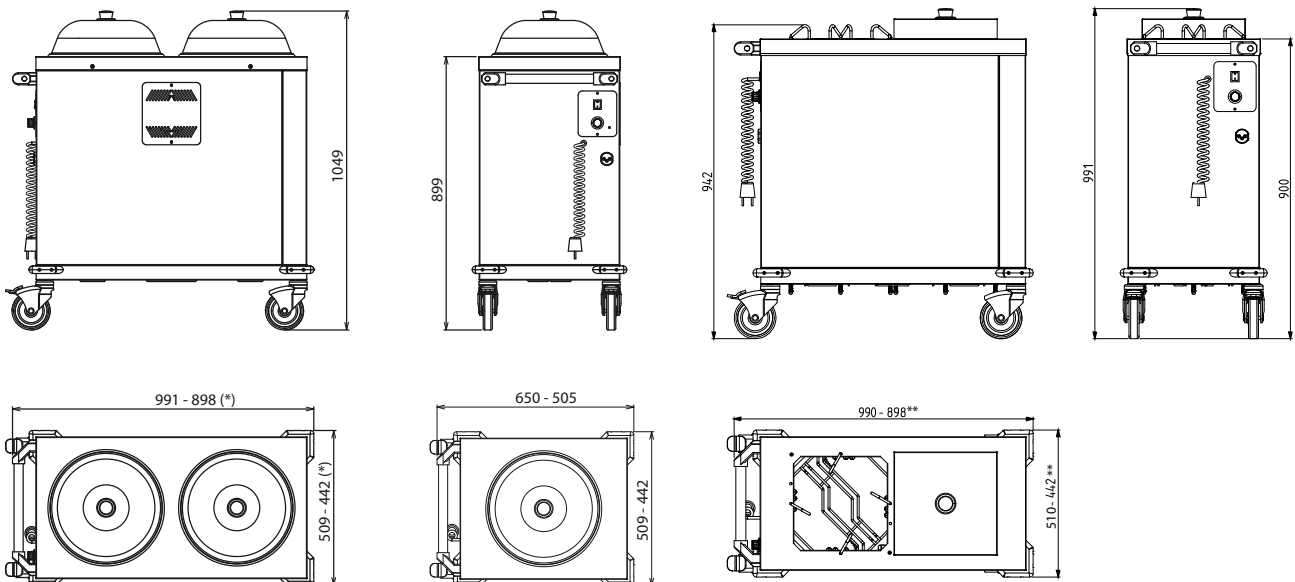
SELF-LEVELLING PLATE DISPENSERS



SPECIFICATIONS

- Made in stainless-steel.
- Twin walled with 30mm mineral wool insulation (for warm models).
- Shock-protected control panel includes switch and thermostat 30°C to 110°C (for warm models).
- Safety thermostat (for warm models).
- 4 composite wheels diam.125mm, 2 with brakes. Trolleys available with stainless steel wheels upon request.
- Diamond-shaped base and water drainage hole.
- The automatic stacking is adjusted by removing the springs in accordance with the weight of the plates.
- Coiled connection lead (2m). For model with cleaning hatch (777446): Connection with a removable, 2m long non-spiral cord (opposite thermostat and switch).
- Dummy outlet for holding the coiled service cable.
- Delivered with 1 or 2 lids according to the model (except the perforated model : delivered without lid).

DIMENSIONS



Models 1 or 2 round stacks

Model 2 square stacks



LA MOBILITÉ DU GOÛT

SELF-LEVELLING PLATE DISPENSERS

SPECIFICATIONS



MODELS WITH FIXED STACKS FOR PLATES

Models		○ 1 stack	○ 2 stacks	□ 2 stacks		
Dimensions of compatible plates: (minimum/maximum)	Round Square Rectangular	200/260 mm	200/260 mm	260/320 mm	200/260 mm 185/260 mm 185/260 mm	200/285 mm 185/285 mm 185/285 mm
Capacity with plates (*)		65	130	130	130	130
Overall length		-	898 mm	990 mm	898 mm	990 mm
Overall width		-	442 mm	510 mm	442 mm	510 mm
Overall height		-	900 mm	900 mm	900 mm	900 mm
Power		-	950 W	1400 W	950 W	1400 W
Voltage - single phase 50/60 Hz		-	230 V	230 V	230 V	230 V
Maximum load		-	140 kg	160 kg	140 kg	160 kg
Net weight		-	37 kg	40 kg	37 kg	55 kg
HEATING MODELS						
Warm - no ventilation	Code	-	777326	777332	777426	777406
Warm - no ventilation - With cleaning hatch	Code	-	-	-	777446	-
ACCESSORIES						
Round lid	Code	-	777435	777440	-	-
Square lid	Code	-	-	-	777438	777437
NEUTRAL MODELS						
Overall length		505 mm	990 mm			
Overall width		442 mm	510 mm			
Overall height		900 mm	900 mm			
Maximum load		80 kg	160 kg			
Net weight		30 kg	50 kg			
Neutral - no ventilation	Code	777101	777301	-	-	-
ACCESSORY						
Round lid	Code	777435	777435	-	-	-

(*) Maximum capacity, the exact number of plates depends upon their thickness.
EC approved. Trolleys in accordance with NF EN 60335-1 standard.



LA MOBILITÉ DU GOÛT

SELF-LEVELLING PLATE DISPENSERS



MODELS WITH REMOVABLE STACKS FOR PLATES

Models	○ 1 stack	○ 2 stacks	○ 2 stacks Perforated model
Dimensions of compatible round plates (minimum/maximum):	200/310 mm	200/310 mm	200/310 mm
Capacity with plates (*)	65	130	130
Overall length	650 mm	990 mm	990 mm
Overall width	510 mm	510 mm	510 mm
Overall height	900 mm	900 mm	900 mm
Power	1400 W	1400 W	-
Voltage single phase 50/60 Hz (no ventilation) - 50 Hz (with ventilation)	230 V	230 V	-
Maximum load	80 kg	160 kg	160 kg
Net weight	35 kg	55 kg	55 kg

HEATING MODELS

Warm - no ventilation	Code	777104	777304	-
Warm - with ventilation	Code	-	777306	-

NEUTRAL MODELS

Neutral - no ventilation	Code	-	-	777500
--------------------------	------	---	---	--------

ACCESSORY

1 - Round lid	Code	777436	777436	777436
---------------	------	--------	--------	--------

[*] Maximum capacity, the exact number of plates depends upon their thickness.
EC approved. Trolleys in accordance with NF EN 60335-1 standard.



LA MOBILITÉ DU GOÛT